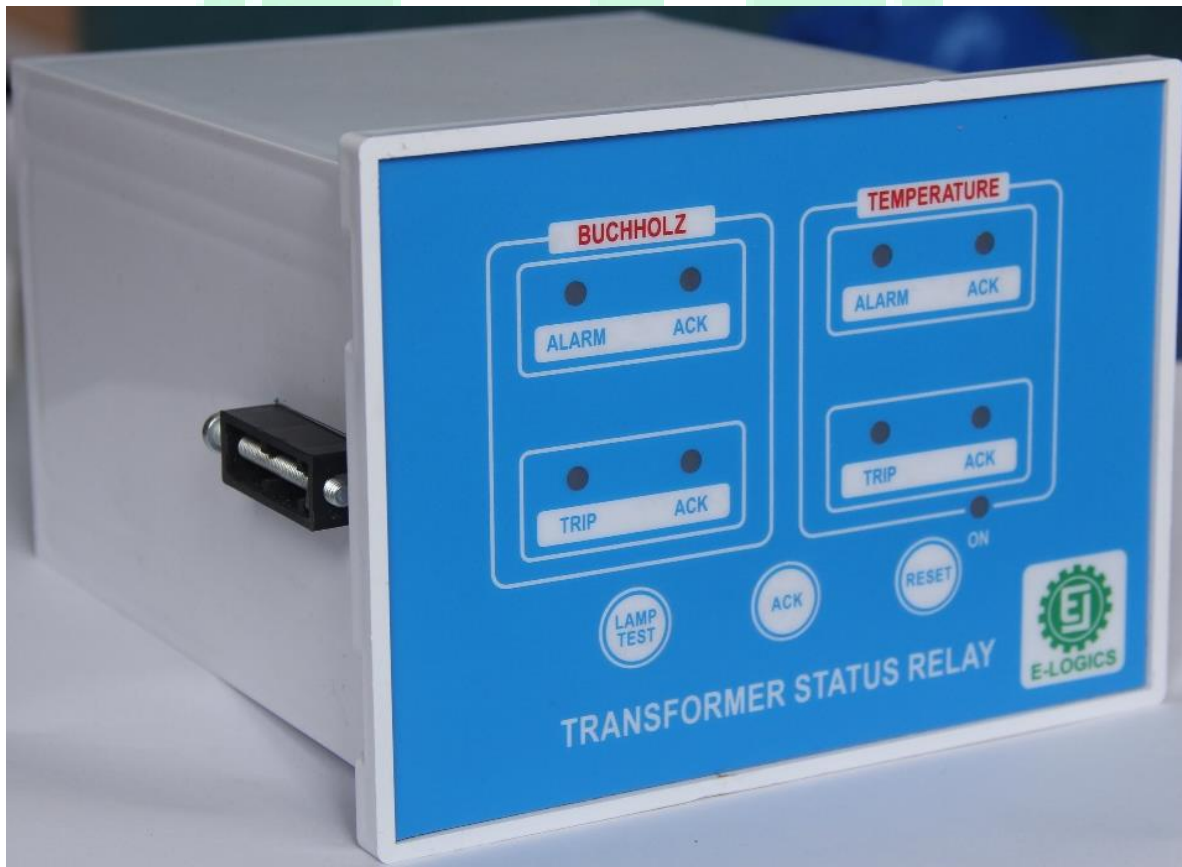




# E-LOGICS

## TECHNICAL MANUAL

### 4 WINDOW ANNUNCIATOR / TRANSFORMER STATUS RELAY



## **Introduction:**

A microprocessor based reliable device used for the protection of system (HV & LV) where temperature controlled environment is involved. High precision and better efficiency is the main aim to achieve for the protection of equipment by installing this device. Alarm and trip signaling after occurrence of event or even during occurrence has efficiently been managed during R&D of this product which resulted into efficient device.

## **Model:**

- EL-WL-500

## **Specification:**

Function	Fault indicator/ Annunciator
Rated Supply Voltage	90~250V AC\DC
Rated Frequency	45~65Hz
Power Consumption	<10VA
No. of Windows	04
Fault input Contacts	Normally Open (NO) & Normally Close (NC)
LED Color	Red (Alarm), Yellow (Ack), Green (ON)
Annunciator Front Size	152mm X 112mm (H X W)
Panel Cutout	137mm x 97mm
Test Facility	Provided (Lamp Test)
Push Buttons	Built-in
Ambient temperature	-10°C to +55°C
Storage	-25° C to + 80° C
Electrical connections	Cage clamping terminals
Dimension	152 x 112 x 163 mm (H x W x D)
Enclosure type	Panel mounting

## **Installation:**

Annunciator has been designed for panel mounting. Two fitting screws will be provided to lock the annunciator on panel gate.

## **Function / Operation:**

Alarm and Trip Signal for Buchholz Relay and Temperature is monitored wisely.

## **Testing of windows for working condition/Lamp Test:**

Apply Rated voltage at source terminals. LAMP TEST Button has provided to test healthy condition of all windows in run mode.

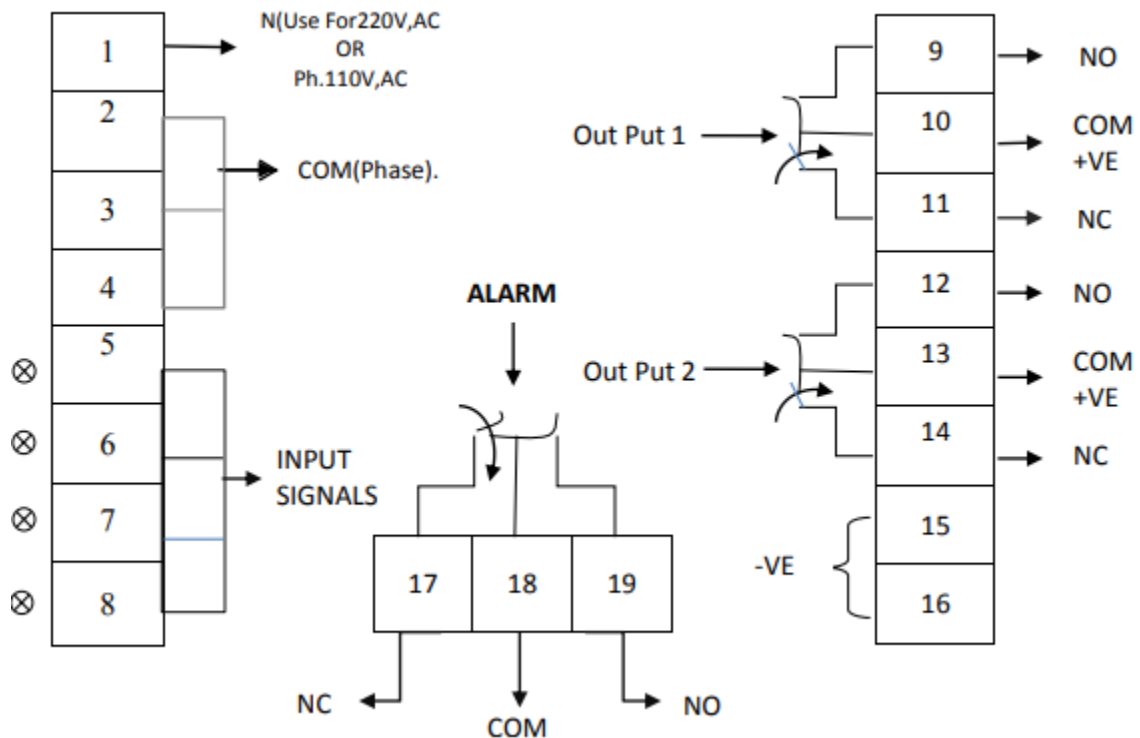
## **Programming:**

The Annunciator is programmed as per customer's requirements.

## Commissioning:

- i) Connect the wiring for Alarm or Buzzer
- ii) Connect the wiring of Auxiliary Supply
- iii) Turn the Auxiliary supply ON
- iv) Display will automatically turn ON
- v) Check the LAMP TEST
- vi) During Alarm signals Red Led will be turned on.
- vii) Yellow Led will on when acknowledged and both (Red & Yellow) will be OFF after reset.

## Connection details:



**Dimensions:**

