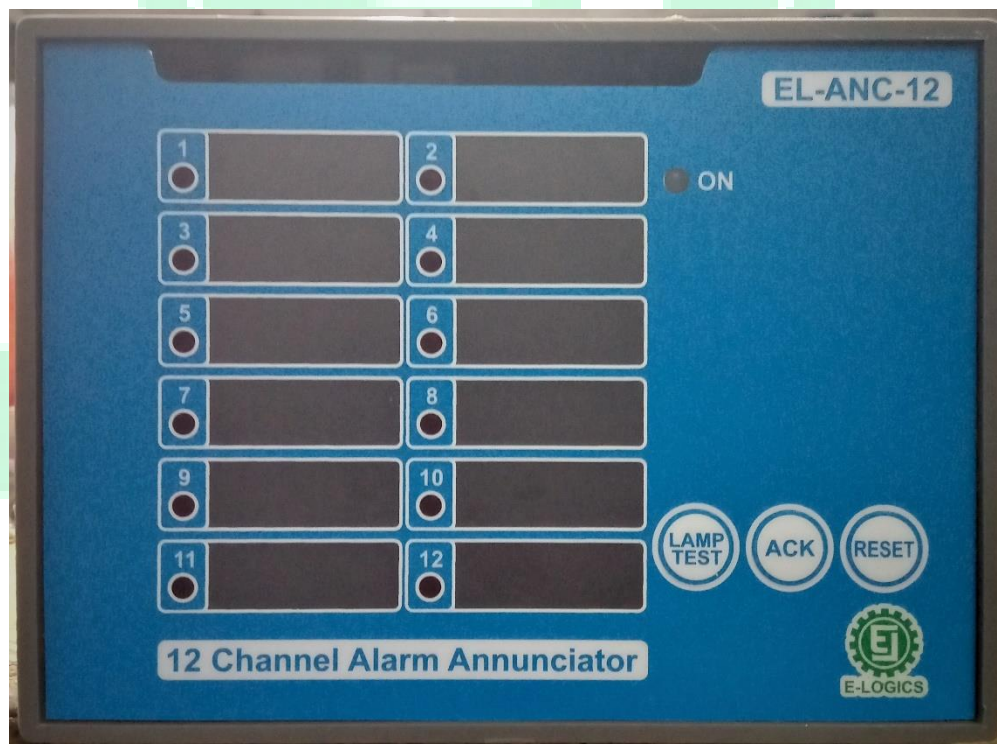




# E-LOGICS

## TECHNICAL MANUAL

### 12 CHANNEL ANNUNCIATOR / AUXILIARY RELAY FOR ALARM



## **Introduction:**

E-Logics Microprocessor based Alarm Annunciator is used to have a watchful eye on plant. These are designed according to the customers demand for the troubleshooting, maintenance and protection of the system. To design Dynamic, Alert, Responsive & Precise annunciator is one of the main aims of the company. It can be used for both of the Low and High Voltage apparatuses. Instantaneous response for Alarm signaling after occurrence of event or even during occurrence remained the first priority during the R&D of this product which resulted into efficient device.

## **Model:**

- EL-ANC-12

## **Specification:**

Function	Fault indicator/ Annunciator
Rated Supply Voltage	90~250V AC\DC
Rated Frequency	45~65Hz
Power Consumption	<10VA
No. of Windows	12
Fault input Contacts	Normally Open (NO)
LED Color	Red (Alarm), Green (Unit Healthy)
Annunciator Front Size	152mm X 112mm (H X W)
Panel Cutout	137mm x 97mm
Test Facility	Provided (Lamp Test)
Push Buttons	Built-in
Ambient temperature	-10°C to +55°C
Storage	-25° C to + 80° C
Electrical connections	Cage clamping terminals
Dimension	152 x 112 x 163 mm (H x W x D)
Enclosure type	Panel mounting

## **Installation:**

Annunciator has been designed for panel mounting. Two fitting screws will be provided to lock the annunciator on panel gate.

## **Function / Operation:**

Several events or operations can be monitored according to requirement. User can nominate these events on windows.

## **Testing of windows for working condition/Lamp Test:**

Apply Rated voltage at source terminals. LAMP TEST Button has provided to test healthy condition of all windows in run mode.

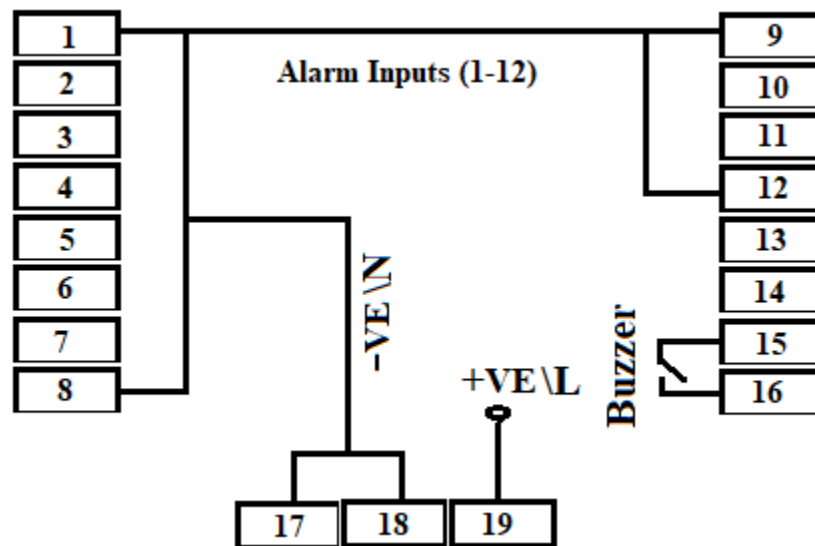
## **Programming:**

The Annunciator is programmed as per customer's requirements.

## **Commissioning:**

- i) Connect the wiring for Alarm or Buzzer
- ii) Connect the wiring of Auxiliary Supply
- iii) Turn the Auxiliary supply ON
- iv) Display will automatically turn ON
- v) Check the LAMP TEST
- vi) During Alarm signals Red Led will be blinking
- vii) Red Led will be stable on acknowledgment and OFF after reset.

## **Connection details:**



E-LOGICS

**Dimensions:**

